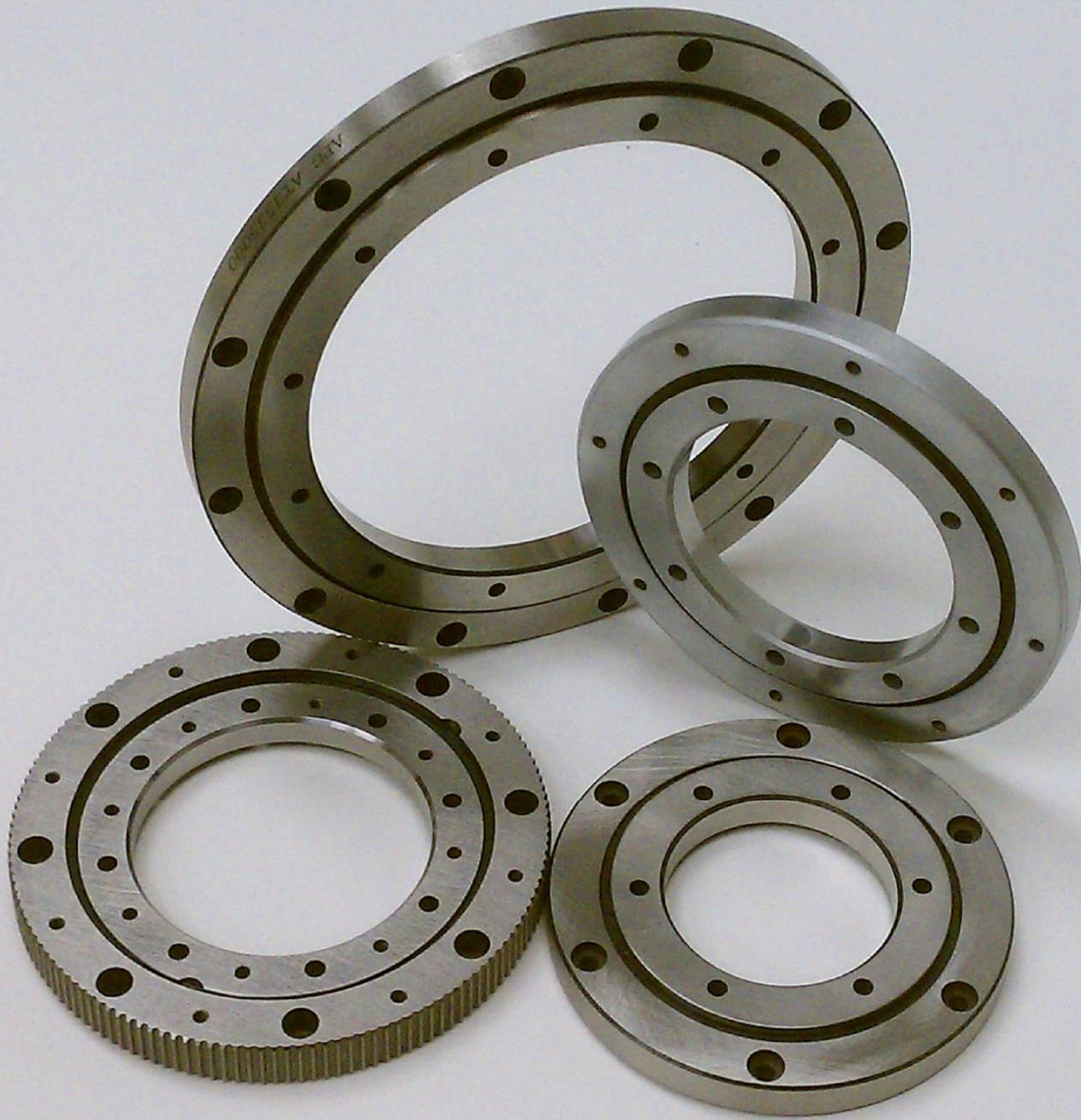




AMERICAN PRECISION group



# Quickmount

Precision Thin Section Turntables



# Markets Served & Applications



Camera Mounts



UGV Robots



UAV Gimbals/Sensors



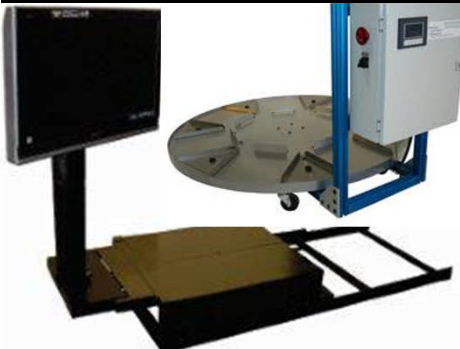
Medical Devices



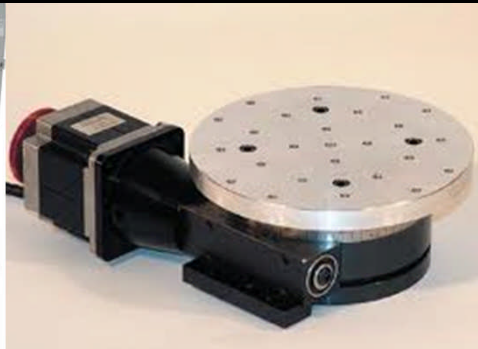
Semiconductor Equipment



Surveillance Gimbals



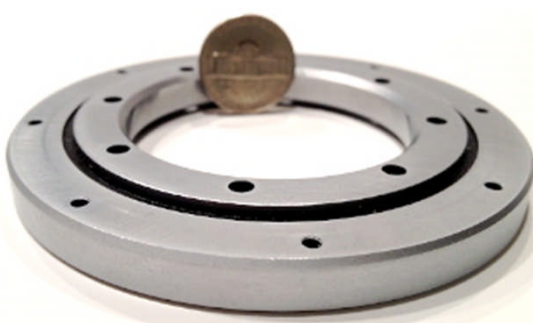
Automation/Manipulators



Rotary Tables/ Indexers



Telemetry/Antennas



**APG Bearings are DFAR Compliant**

# APG Quickmount P/N Description & Engineering Data

**AT** Quickmount: Sealed, AISI 52100 Steel, Abec 1, 4-Pt Contact Ball

**020** Bearing ID: 020 = 2.000"

**350** Design Width Including:  
 .350" = Total Width  
 .300" = Individual Ring Width  
 .050" = Off-set between rings  
 1.50" = Radial width ID to OD

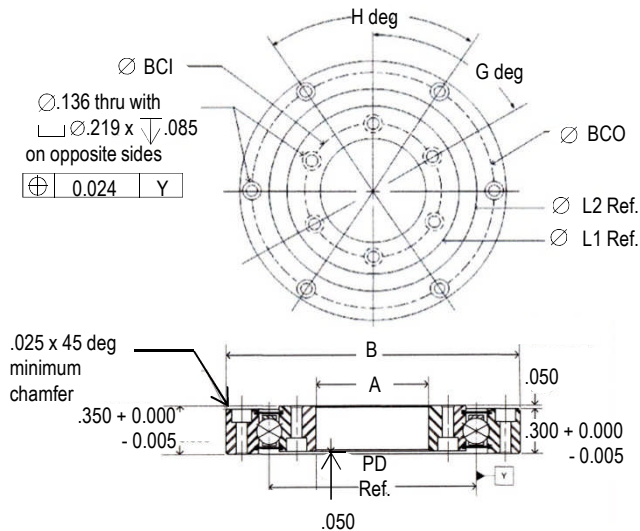
**Q** Hole Type  
 0 = .136" thru holes with CB for #4 size screw  
 1 = Outer ring tapped #6-32 UNC  
 2 = Inner ring tapped #6-32 UNC  
 3 = Both rings tapped #6-32 UNC

**Q** Gear & Timing Belt Options  
 0 = Non-gearred                      2 = Internally-gearred  
 1 = Externally-gearred          3 = OD Timing Belt Profile

**D** 11<sup>th</sup> Position:  
 Blank: standard 52100 material, no coating  
 D: Thin Dense Chromed Races & 440C balls

## Non-gearred Quickmount Bearings

Part Number	ID "A"	OD "B"	Inner BCI	Outer BCO	# of Holes	Static Radial (lbs)	Dyn Radial (lbs)	Static Axial (lbs)	Dyn Axial (lbs)	Static Moment (in-lbs)	Dyn Moment (in-lbs)	Weight (lbs)
AT01535000	1.500	3.000	1.813	2.688	6	680	320	1,710	790	770	360	.38
AT02035000	2.000	3.500	2.313	3.188	6	830	360	2,090	910	1,150	500	.46
AT02535000	2.500	4.000	2.813	3.688	8	990	410	2,470	1,010	1,600	660	.55
AT03035000	3.000	4.500	3.313	4.188	10	1,140	450	2,850	1,110	2,130	840	.63
AT03535000	3.500	5.000	3.813	4.688	12	1,290	480	3,220	1,210	2,740	1,030	.71
AT04035000	4.000	5.500	4.313	5.188	12	1,440	520	3,600	1,310	3,420	1,240	.80
AT04535000	4.500	6.000	4.813	5.688	12	1,590	560	3,980	1,400	4,180	1,460	.88
AT05035000	5.000	6.500	5.313	6.188	16	1,750	590	4,360	1,480	5,020	1,700	.96
AT06035000	6.000	7.500	6.313	7.188	16	2,050	660	5,120	1,650	6,220	2,230	1.13
AT07035000	7.000	8.500	7.313	8.188	16	2,350	720	5,880	1,810	9,000	2,800	1.30
AT08035000	8.000	9.500	8.313	9.188	18	2,650	760	6,640	1,925	11,400	3,400	1.50
AT10535000	10.500	12.000	10.813	11.688	24	3,410	930	8,540	2,310	14,400	5,200	1.95



Note: CB hole option shown

Please visit our website for more complete specifications [www.aprecisiongroup.com](http://www.aprecisiongroup.com)

# APG Quickmount Features & Engineering Data

## Quickmount Design Features....

- **4-pt Contact Precision Ball Bearing**
  - Reacts Radial, Axial & Moment Loads
- **Low Profile with Off-set rings**
  - Light Weight & Ready to Mount
- **Controlled Internal Fit-up**
  - Light Preload for Moment Stiffness
- **APG Low Drag PTFE Seals & Lubed**
  - Excellent Torque Performance
  - Maintenance Free Use

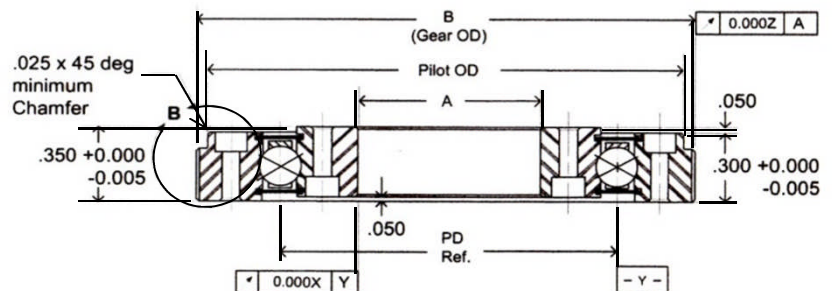
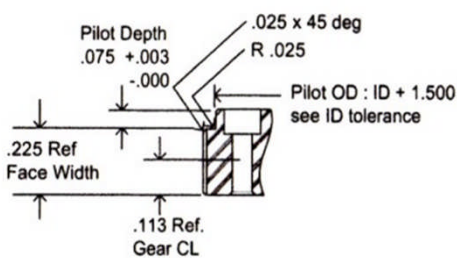
## Simplify your Design....

- **Eliminate Clamp Rings!**
- **No Precision Machined Diameters & Shoulders for Shafts & Housings!**
- **Reduce Part Count & Design Time!**

## Externally-gearred Quickmount Bearings

Part Number	ID "A"	Gear OD "B"	Inner Land L1	Outer Land L2	Inner Bolt BCI	Outer Bolt BCO	Gear Pitch Diameter	# of Teeth
AT01535001	1.500	3.187	2.186	2.314	1.813	2.688	3.156	202
AT02035001	2.000	3.687	2.686	2.814	2.313	3.188	3.656	234
AT02535001	2.500	4.187	3.186	3.314	2.813	3.688	4.156	266
AT03035001	3.000	4.687	3.686	3.814	3.313	4.188	4.656	298
AT03535001	3.500	5.187	4.186	4.314	3.813	4.688	5.156	330
AT04035001	4.000	5.687	4.686	4.814	4.313	5.188	5.656	362
AT04535001	4.500	6.187	5.186	5.314	4.813	5.688	6.156	394
AT05035001	5.000	6.687	5.686	5.814	5.313	6.188	6.656	426
AT06035001	6.000	7.687	6.686	6.814	6.313	7.188	7.656	490
AT07035001	7.000	8.709	7.686	7.814	7.313	8.188	8.667	416
AT08035001	8.000	9.709	8.686	8.814	8.313	9.188	9.667	464
AT10535001	10.500	12.209	11.186	11.314	10.813	11.688	12.167	584

**Gear Data: Spur Gear with 20 degree pressure angle      DP 64 thru 6.00"ID      DP 48 for 7.00"ID thru 10.5"ID**



Note: DB hole option shown

Please visit our website for more complete Quickmount specifications [www.amprecisiongroup.com](http://www.amprecisiongroup.com)

# APG Quickmount Features & Engineering Data

## Quickmount Design Features....

- **Abec 1F Precision Class**  
High Performance: Run out, Torque & Speed
- **ID & OD's available for pilot diameters**
  - additional pilot provided for geared rings
- **Customization for OEM Applications**
  - 440C Material
  - Timing Belt Profiles
  - Custom Sizes & Hole Types

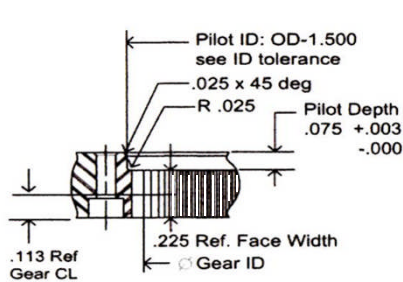
## Simplify your Design....

- **High Performance!**
- **Ready-to-Mount!**
- **Incredible Value!**

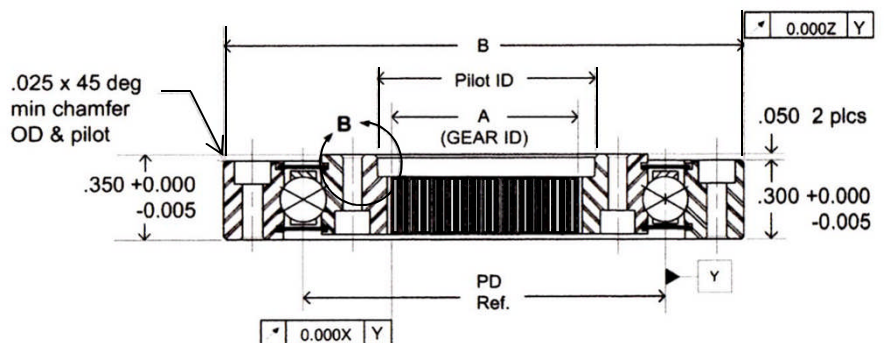
## Internally-geared Quickmount Bearings

Part Number	Gear ID "A"	OD "B"	Inner Land L1	Outer Land L2	Inner Bolt BCI	Outer Bolt BCO	Gear Pitch Diameter	# of Teeth
AT01535002	1.313	3.000	2.186	2.314	1.813	2.688	1.344	86
AT02035002	1.813	3.500	2.686	2.814	2.313	3.188	1.844	118
AT02535002	2.313	4.000	3.186	3.314	2.813	3.688	2.344	150
AT03035002	2.813	4.500	3.686	3.814	3.313	4.188	2.844	182
AT03535002	3.313	5.000	4.186	4.314	3.813	4.688	3.344	214
AT04035002	3.813	5.500	4.686	4.814	4.313	5.188	3.844	246
AT04535002	4.313	6.000	5.186	5.314	4.813	5.688	4.344	278
AT05035002	4.813	6.500	5.686	5.814	5.313	6.188	4.844	310
AT06035002	5.813	7.500	6.686	6.814	6.313	7.188	5.844	374
AT07035002	6.771	8.500	7.686	7.814	7.313	8.188	6.813	327
AT08035002	7.771	9.500	8.686	8.814	8.313	9.188	7.813	375
AT10535002	10.271	12.000	11.186	11.314	10.813	11.688	10.313	495

**Gear Data: Spur Gear with 20 degree pressure angle      DP 64 thru 6.00"ID      DP 48 for 7.00"ID thru 10.5"ID**



Detail B



Note: DB hole option shown

Please visit our website for more complete Quickmount specifications [www.amprecisiongroup.com](http://www.amprecisiongroup.com)

# APG Additional Products

## Thin Section

DFAR compliant thin section bearings. Radial, 4-pt, Angular Contact and Duplexed Ball Bearings. Sizes range from 1.00" to 35.00" ID's and .1875" to 1.00" cross sections.



APG offers interchanges to industry standard designs with 52100 or 440C race & ball materials with brass, delrin, and PEEK separators as well as other material options. APG PTFE low drag seals will dramatically reduce friction versus Buna-N seals. We look forward to assisting you with your next application.

## Ultra-Profile

Sizes range from 35mm to 170mm ID's and a 2.5mm width with 440C races in Radial, 4-pt and Angular Contact types.



Ultra-Profile bearings provide a creative solution for lightly loaded applications where space is extremely limited. With the smallest width to diameter ratios available, a mechanisms overall size, weight and power consumption can greatly be reduced.

## Slewing Rings

DFAR compliant non-geared, externally-geared and internally-Geared Turntable Bearings. Sizes range from 3" to 32" OD's.



APG offers Industry standard and custom 4-Pt design configurations typically made to order. We also offer large diameters for industrial applications in 4-pt, 8-pt and 3-row roller designs up to 6 meters

## Custom Bearings

Custom Sizes, materials, configurations, seals & shields, separators, mounting holes and lubricants are a few custom features offered.

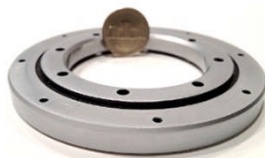


APG offers custom ball bearing solutions for customers seeking increased performance or cost saving features. Our flexible manufacturing and competitive lead times will afford you new options for design solutions.

*Experience*

*Value*

*Service*



**MOONEY INDUSTRIALS**  
MANUFACTURERS' REPRESENTATIVE  
16162 Beach Blvd, Suite 260  
Huntington Beach, CA 92647  
PH: 714-841-7902  
Fax: 714-841-0821



**AMERICAN PRECISION** group

3711 Long Beach Boulevard  
Suite 1016-G  
Long Beach, CA 90807  
PH: (562) 424-8800  
Fax: (562) 424-8805  
[www.amprecisiongroup.com](http://www.amprecisiongroup.com)